



The easy choice when indication is all you need

IndiTop 8-30 VDC/VAC

Concept

The indication unit IndiTop from Alfa Laval is designed as a simple and easy to use, electrical feedback unit for Laval sanitary butterfly and single-seat valves. It is compatible with all major PLC (Programmable Logic Controller with PNP/NPN interface). It is for use in food, dairy and brewery installations and in biopharmaceutical applications.

Working principle

IndiTop is a unique "No Touch" sensor system without any mechanical adjustments. It is used to supervise pneumatic valves and is easily mounted on top of the valve actuator. IndiTop ensures a quick and easy setup either by the easy "5 push setup" or remotely from the PLC system; Visual indication through LEDs are constantly displaying the current valve position and power ON and the unit will be able to send feedbacks in both DC and AC about the valve position through an encapsulated cable.

For cable version the selection of PNP or NPN is done by external electrical wiring and for the plug version the selection is done by Item no. See also "Basic Design". It is interchangeable with Alfa Laval side indication (Hall switches) without rewiring the plug connection



TECHNICAL DATA

Encapsulated cable

Cable option 1 5 meter
 Cable option 2 10 meter
 Cable option 3 0.5 meter with M12 plug

Communication

Interface Digital
 Supply voltage 8-30 VDC/VAC

Sensor board

Power supply 24 V, 1 W
 Feedback signal #1 De-energized valve
 Feedback signal #2 Energized valve
 PLC output signal #3 Remote setup
 Default tolerance band ± 5 mm
 Sensor accuracy ± 0.1 mm
 Stroke length 0.1 - 80 mm

PHYSICAL DATA

Materials

Plastic parts Nylon PA 6 and POM
 Steel parts Stainless steel DIN 914 A2. Brass
 Seals SEBS

Compatible actuators

SBV	Yes	Unique SSV	Yes
Koltek	Yes	Unique SSV aseptic	Yes
LKLA-T	Yes	Unique SSV long stroke	No
ARC	Yes	SMP valves	Yes
SRC	Yes	Unique Mixproof	No
SRC long stroke	No		

Environment

Working temperature -20 °C to +85 °C
 Protection class IP66 and IP67

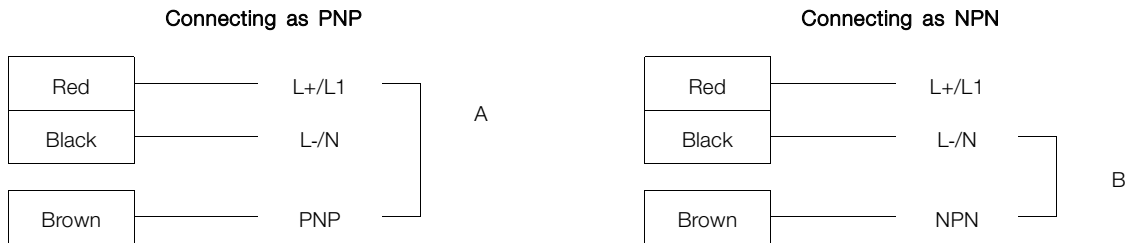
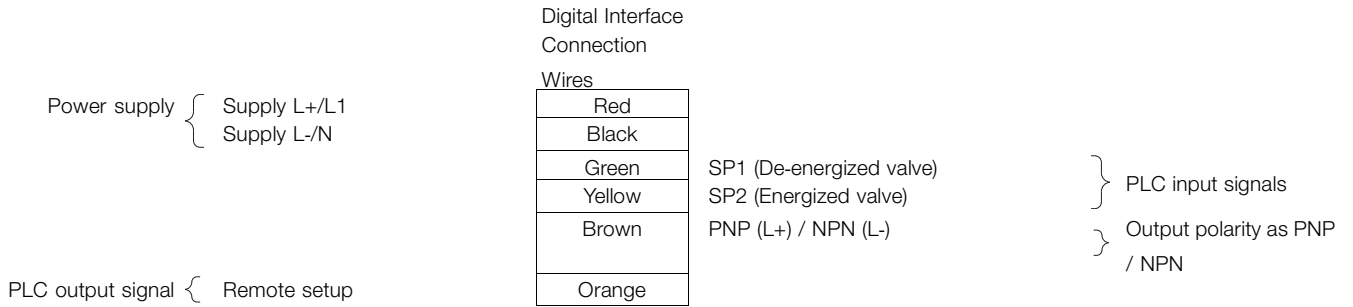
Cable connection

16.4 ft. 6 wire
 32.8 ft. 6 wire
 1.6 ft. M12 plug, incl. M12 socket
 PVC cable size ø0.2 in.
 Wire diameter 0.005 in2 (AWG26)



Electrical connection

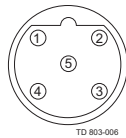
The fixed cable consists of 6 wires. For standard 2 feedbacks not using the remote setup features only 4 wires need to be connected to external systems (Red/Black/Green/Yellow). Brown is always connected to either Red (PNP) or Black (NPN) depending on whether PNP or NPN is required. The orange wire must be connected to Red if the remote setup feature is not used.



- A. Brown connected with Red wire on external screw terminals if PNP polarity
- B. Brown connected with Black wire on external screw terminals if NPN polarity

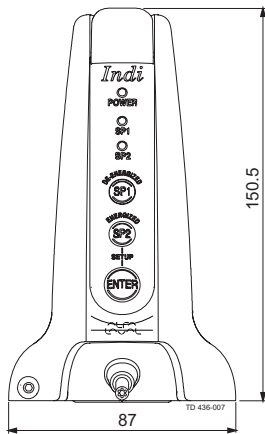
The fixed cable consists of 6 wires. For standard 2 feedback not using the remote setup feature only 4 wires need to be connected to external systems (Red/Black/Green/Yellow). Brown is always connected to either Red (PNP) or Black (NPN) depending on whether PNP or NPN is required. The orange wire must be connected to Red if the remote setup feature is not used.

Cable wire connections	
Red	L+/L1
Black	L-/N
Green	SP1 (De-energized valve)
Yellow	SP2 (Energized valve)
Brown	PNP (L+) / NPN (L-)
Orange	Remote setup signal
	If not used - connect to L+/L1

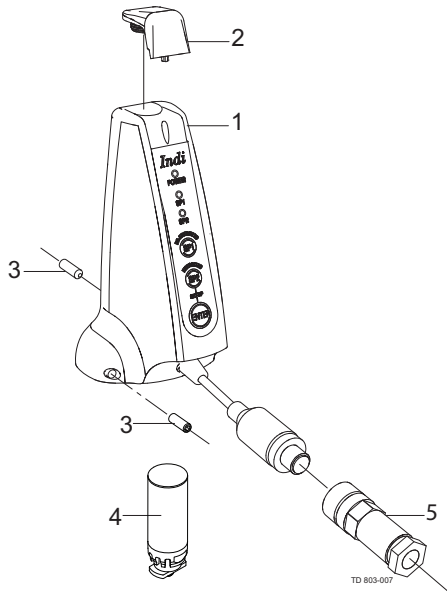


M12 plug - PIN connections		
PIN 1	Black	L-/N
PIN 2	Yellow	SP2 (Energized valve)
PIN 3	Green	SP1 (De-energized valve)
PIN 4	Red	L+/L1, 8-30V AC/DC
M12 Plug Internal wire connections	Brown	PNP (L+) PIN 4 NPN (L-) PIN 1
PIN 5	Orange	Remote setup signal If not used - connect to L+/L1

Dimensions



Basic design



1. Housing
2. End cap
3. Screw
4. Indication pin
5. Female plug

Ordering

When ordering please purchase the following:

- IndiTop Digital 8-30 VDC/VAC PNP/NPN
- 5 meter cable
- 10 meter cable
- 0.5 meter cable with M12 plug and polarity as NPN

- 0.5 meter cable with M12 plug and polarity as PNP

Note!

For further information: See also ESE000353

The ThinkTop has Patented Sensor System, Registered Design and Registered Trademark owned by Alfa Laval



Alfa Laval reserves the right to change specifications without prior notification. ALFA LAVAL is a trademark registered and owned by Alfa Laval Corporate AB.

ESE00182EN 1206

© Alfa Laval

How to contact Alfa Laval

Contact details for all countries are continually updated on our website. Please visit www.alfalaval.com to access the information direct.